

# R-ST303GN



## Deck Mounted Sensor Tap

### PRODUCT FEATURES

- Automatic infra-red sensor activation faucet
- Fully automatic activation for personal hygiene
- Electrical sensor is isolated and sealed in waterproof compartment
- Self-adjusting signal frequency to prevent interference with other sensor products

### PRODUCT SPECIFICATIONS

- Dimension : 162(L) x 25(W) x 174(H)
- Material : Polished brass with chrome finish
- Power Supply : 230VAC 50Hz
- Detection Range : Self-adjusting to environment
- Operating Temperature : 0 - 40° C
- Supply Pressure : 70 kPa (flowing) – 500kPa
- Water Consumption : 10 secs. Faucet: 0.35 litre per cycle
- Saving Feature : Auto cut-off when hands are removed
- Detection Time : ON feature : Immediate  
OFF feature : 0.6 secs. delay



### RESOURCEFUL FEATURES:



Auto-Adjust



Constant Flow Regulator



Anti-Conflict



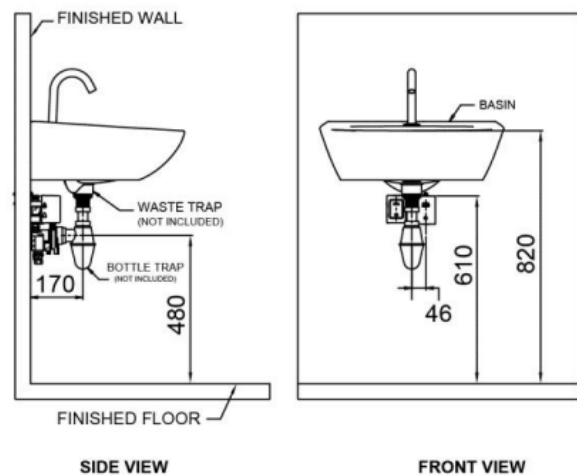
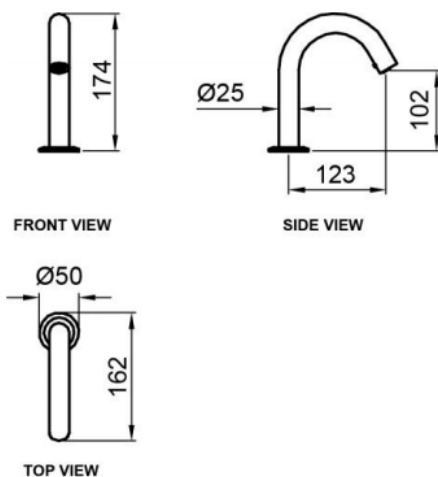
Touch-Free



RC1000 Remote Control

## TECHNICAL DRAWING

## INSTALLATION DETAILS



Copyright © Rigel Technology (S) Pte Ltd. All rights reserved. Terms of Use.